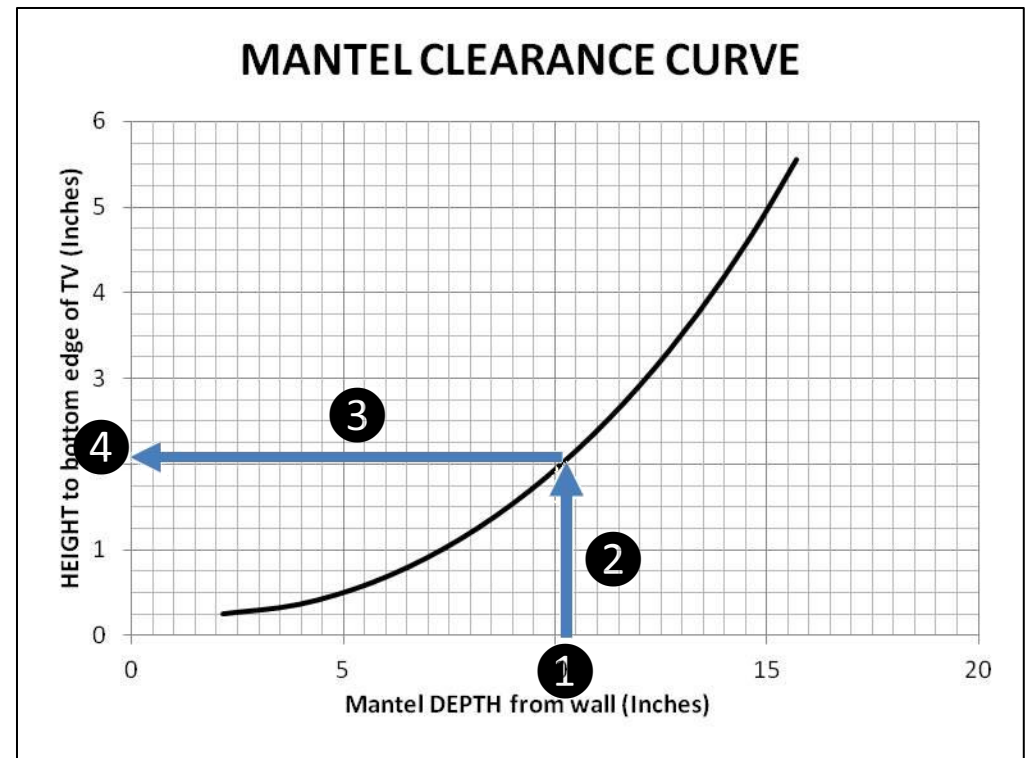


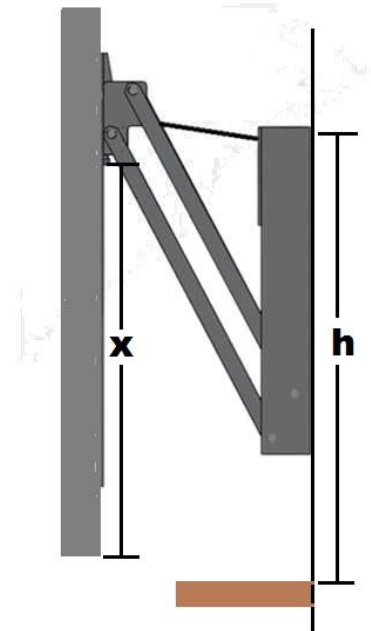
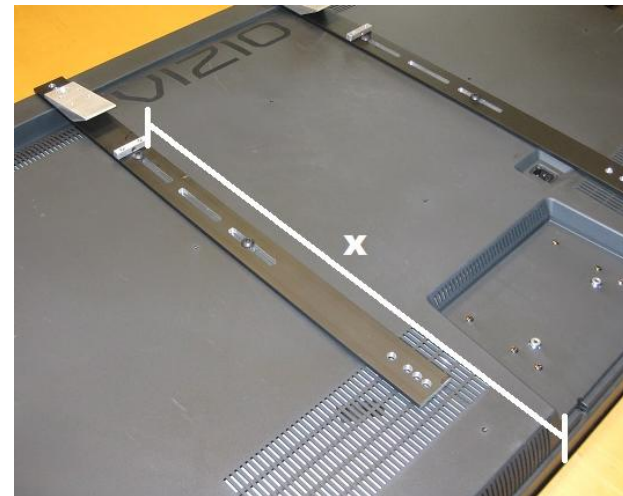
### To Find Clearance Height:

1. Measure depth of mantel from the wall and locate depth on the DEPTH axis
2. Draw straight line up to the curve
3. Draw straight line across to the HEIGHT axis
4. Read clearance height required from the top of mantel to the bottom of TV



### To Find Top Mounting Hole Height for ComfortVu:

1. Mount straps on TV as shown in Step 7 on the instruction sheet
2. Measure the distance from bottom edge of TV to bottom edge of safety block (Dimension "x")
3. Top mounting hole height "h" (in inches) from top of mantel to top mounting slots on ComfortVu is determined by:



$$h = \text{Mantel Clearance Height (From Chart)} + x - 1.25$$

# MANTEL CLEARANCE CURVE

